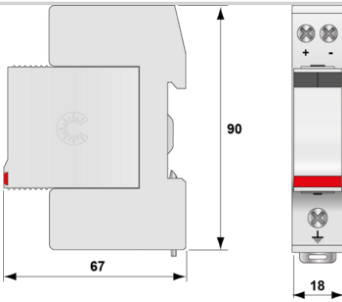
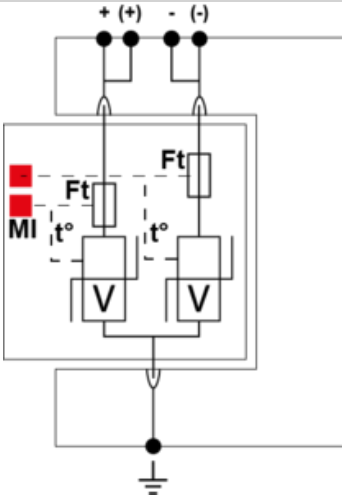


# DS220-12DC



Electrical Characteristics		
Max. load current	IL	20 A
Total Maximum discharge current max. total withstand @ 8 /20 μs	I <sub>max</sub> Total	40 kA
Protection mode(s)		Common mode/Differential mode
Protection level +/-PE (-/PE)@ I <sub>n</sub> (8/20μs)	Up	250 V
Mechanical Characteristics		
Outdoor application		No
Weight		0.109 kg
Standards		
Certification		UL listed
Part number		390101



V: High-energy varistor  
 Ft: Thermal fuse  
 t°: Thermal disconnection system  
 MI: Disconnection indicator